

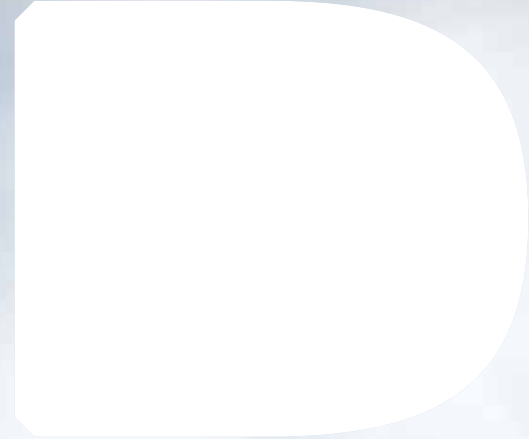
Eastern Canada



WINDOWS & DOORS



Brighten Your Home Through Innovation



CONTENTS

Our goals are to not only bring you the next generation of products but to help you enhance your windows as a beautiful expression of your personality.

Procanna is dedicated to offering the highest level of product based on hard work and a commitment to our industry, our customers, our community and the environment. We focus on providing building products that are energy efficient, eco friendly and that require little or no maintenance.

Simply, Procanna is dedicated to providing the highest value products while we continue our efforts to improve energy efficiency and eliminate waste.

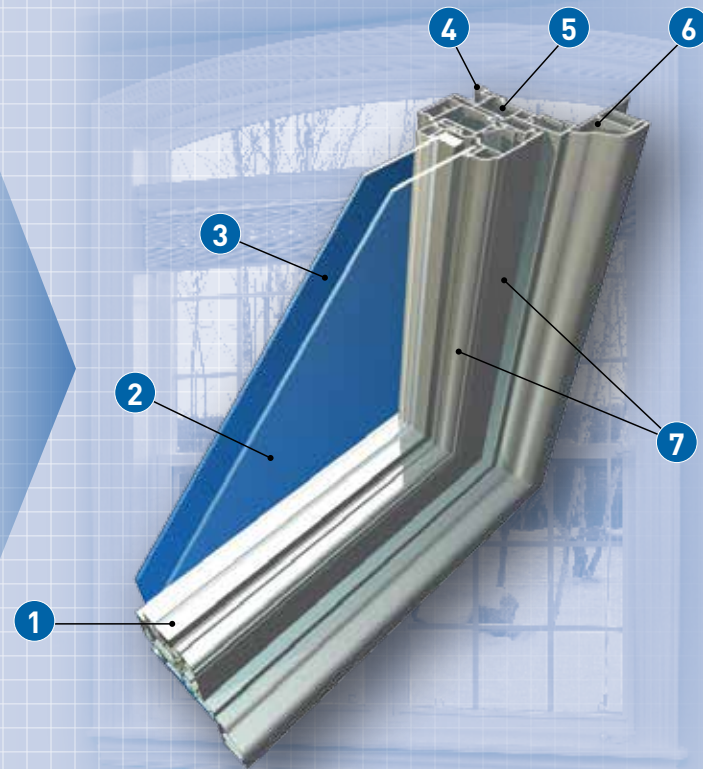
Procanna. Working for you today, tomorrow and in the future.

- 4** Premium & Pro Overview
- 6** Premium Window Collection
- 10** Pro Window Collection
- 14** Entrance Collection
- 18** Patio Door Collection
- 20** Hardware
- 21** Decorative Options
- 22** Product Performance Ratings
- 23** Procanna Warranties



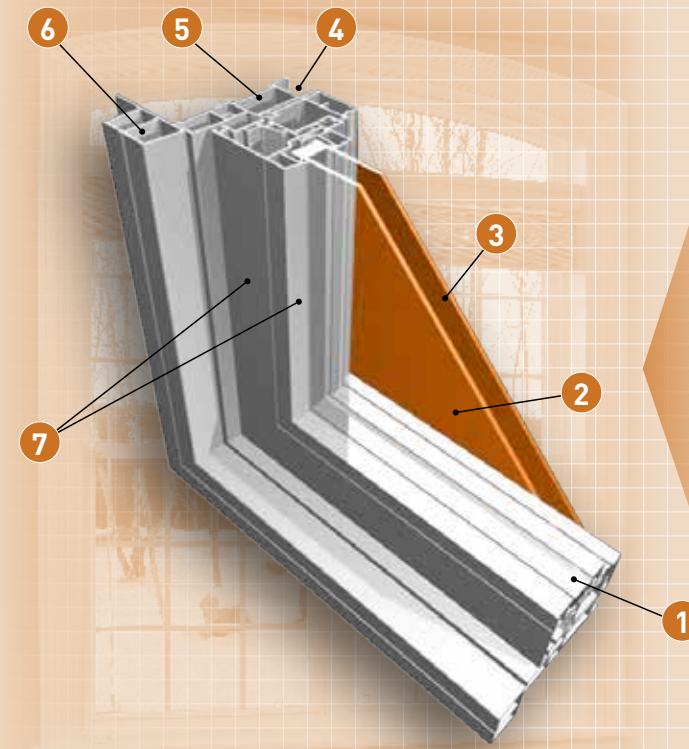
PREMIUM CASEMENT CONSTRUCTION

1. Warm edge SuperSpacer®
2. Dual pane thermo
3. Low-e coating
4. Integrated 1/2" & 3/4" wood / drywall return
5. Integrated 3 1/4" frame depth
6. Integrated 1 1/2" contour brickmold
7. Sash with contour edge



PRO CASEMENT CONSTRUCTION

1. Warm edge SuperSpacer®
2. Dual pane thermo
3. Low-e coating
4. Integrated 3/4" wood return
5. Integrated 3 1/4" frame depth
6. Integrated 1 1/8" flat brickmould
7. Sash with flat edge



PREMIUM BENEFITS

COMPONENT	PREMIUM WARRANTY
VINYL (Frame/Sash) (Warrants against defects in materials - peeling, blistering, flaking, corroding or rotting of any vinyl component)	Lifetime
HARDWARE (Warrants all hardware shall remain in operational condition)	Lifetime
GLASS (Warrants against visual obstruction due to seal failure)	Lifetime
LABOUR	Lifetime
STRESS CRACKS	1 Year
FACTORY APPLIED PAINT (Warrants against blistering, peeling or flaking)	10 Years

Warranties valid on current year product only. Please contact a dealer near you for full details regarding previous product years

PRO BENEFITS

COMPONENT	PRO WARRANTY
VINYL (Frame/Sash) (Warrants against defects in materials - peeling, blistering, flaking, corroding or rotting of any vinyl component)	Lifetime
HARDWARE (Warrants all hardware shall remain in operational condition)	30 Years
GLASS (Warrants against visual obstruction due to seal failure)	30 Years
LABOUR	30 Years
STRESS CRACKS	1 Year
FACTORY APPLIED PAINT (Warrants against blistering, peeling or flaking)	10 Years

Warranties valid on current year product only. Please contact a dealer near you for full details regarding previous product years



PREMIUM COLLECTION

Our finest windows, the Premium Collection is set apart from the competition by its outstanding quality, superior craftsmanship, innovative design and industry-leading warranty. Flowing architectural Brickmolds offer sculpted curves creating the high-end designer look that knowledgeable homeowners demand and expect from their windows, while optional Low-E & Argon gas filled insulated units ensure superior energy saving performance.

This unique collection highlights our commitment to continuous improvement, and underscores our commitment to providing you the beauty, quality, performance and service you deserve.



SINGLE HUNG

SINGLE SLIDER

DOUBLE HUNG

DOUBLE SLIDER

AWNING

CASEMENT

SHAPE

PICTURE



STANDARD FEATURES

- Industry Leading Warranty
- Interior Glazing
- Warm Edge Glass Technology
- Energy Star Approved
- CSA Approved



SINGLE HUNG



- 3 3/4" Frame Depth
- 1 1/2" Contour Brickmold
- Stepped return
- Child proof tilt latch
- Traditional Style
- Bottom Sash opens vertically
- Tilts in for easy cleaning

DOUBLE HUNG



- 3 1/4" Frame Depth
- Child proof tilt latch
- Sashes open vertically
- Tilts in for easy cleaning

PICTURE

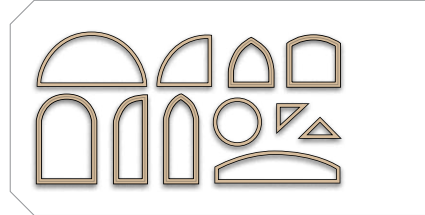


- 3 1/4" Frame Depth
- 1 1/2" Contour Brickmold
- Stepped return

SHAPE



- 3 1/4" Frame Depth
- Child proof tilt latch
- Bottom Sash opens vertically
- Tilts in for easy cleaning



DID YOU KNOW

- Casement windows are your most energy efficiency type of window.
- Single Hung windows are the most popular choices in new construction.



AWNING

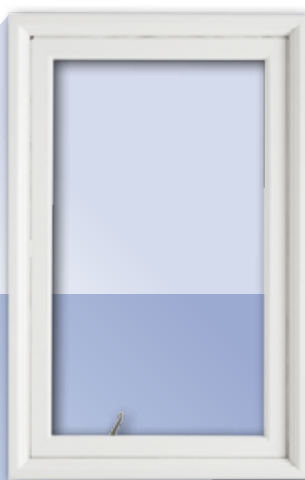


Available with optional Triple IG (Insulated Glass)

Recessed hardware is a standard with all Premium Casements & Awnings.

- 3 1/4" Frame Depth
- 1 1/2" Contour Brickmold
- Stepped return
- Multi-point Locks
- Recessed Folding Handle
- Removable Spring Loaded Screen
- Sash Opens from Bottom

CASEMENT



Available with optional Triple IG (Insulated Glass)

Recessed hardware is a standard with all Premium Casements & Awnings.

- 3 1/4" Frame Depth
- 1 1/2" Contour Brickmold
- Contemporary Window
- Multi-point Locks
- Stepped return
- Recessed Folding Handle
- Removable Spring Loaded Screen
- Sash Opens from side out

SINGLE SLIDER

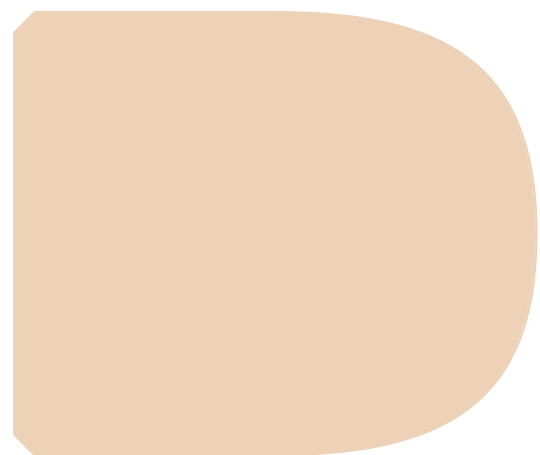


- Stepped return
- 3 3/4" Frame Depth
- 1 1/2" Contour Brickmold
- Sash slides side to side
- Child Proof Tilt latch traditional Style
- Removable Sash for easy cleaning

DOUBLE SLIDER



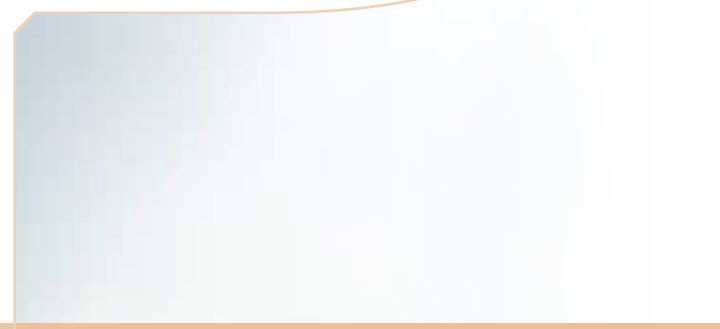
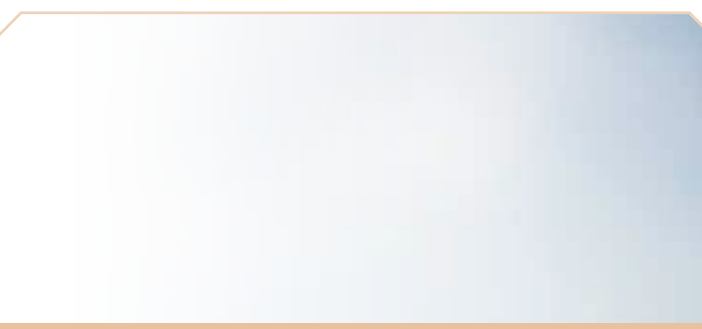
- 3 1/4" Frame Depth
- Child Proof Tilt latch both
- Sash slides side to side
- Both sashes slide side to side
- Removable Sash for easy cleaning



PROCOLLECTION

Built to last, our Pro Collection windows are affordably priced without sacrificing the quality you expect from a Procanna window. Offering many of the same features as our top-of-the-line Premium Collection windows including industry-leading Super Spacer[®], Pro Collection windows are another "best-in-class" product, ideally suited to today's value-conscious consumers.

The Pro Collection sturdy, common-frame design gives your home and family protection from the elements as well as peace of mind.



SINGLE HUNG

SINGLE SLIDER

AWNING

CASEMENT

SHAPE

PICTURE



STANDARD FEATURES

- 3 1/4" Frame Depth
- Interior Glazing
- Warm Edge Glass Technology
- Energy Star Approved
- CSA Approved
- Industry Leading Warranty



SINGLE HUNG



- 1 1/8" Brickmold
- 3/4" Return
- Traditional Style
- Flush Tilt Latches
- Bottom Sash Opens Vertically
- Tilts in for Easy Cleaning
- Removable Screen

SINGLE SLIDER



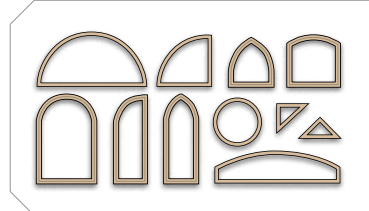
- 1 1/8" Brickmold
- 3/4" Return
- Flush Tilt Latches
- Sash Slides Side to Side
- Brass Rollers
- Removable Screen
- Removable Sash for Easy Cleaning

PICTURE



- Fixed (Non Operating Sash)
- 1 1/8" Brickmold
- 3/4" Return

SHAPE



- Fixed or Operating Sash depending on Shape
- Limited Only by Your Imagination



AWNING



- 1 1/8" Brickmold
- 3/4" Return
- Cam Locks
- E-Guard Hardware
- Removable Spring Loaded Screen
- Sash Opens from Bottom

CASEMENT



- 1 1/8" Brickmold
- 3/4" Return
- Multi-point Locks
- E-Guard Hardware
- Removable Spring Loaded Screen
- Sash Opens from Side



- Bay and Bow (combination) windows are typically made from a fixed picture window in the middle, with a Casement window on each side.

- Choose window sizes and locations that will allow you to get the greatest amount of natural light. Southern exposures typically bring in more sunlight.



ENTRANCE COLLECTION

Your home is your castle. It's also your cathedral and your magnificent monument. It's home, sweet home. That's why choosing the right door is one of the most important decisions you, as a homeowner, will make. Because your entrance is your home's first impression, and the welcome your home offers.

Procanna, believes that choosing the ideal door is about more than appearance. It's about choosing a product that will give you and your family security and peace of mind. It's about finding a door that will increase energy efficiency and resale value, while decreasing maintenance costs.



STEEL DOORS

FIBERGLASS DOORS

DECORATIVE DOOR & SIDE LITES

TRANSOMS & SIDE LITES



STANDARD FEATURES

Energy Star Approved • CSA Approved • Industry Leading Warranty



STEEL DOORS



Steel doors remain our most popular line due to their solid construction which allows them to resist cracking and years of exposure to the elements, while requiring very little maintenance. They are an ideal choice for homeowners requiring a high degree of security from their entrance doors.

- 4 5/8" Finger Jointed Pine Jamb
- Prefinish White Door Slab
- Thermally Broken Aluminum Sill
- Magnetic & Compression Weatherstrip

DOOR LITE STYLES



Procanna offers an extensive array of Door Lites, Transom and Side lites designs.

For more options visit Procanna.com

TRANSOM & SIDE LITES



EVERYTHING YOU NEED TO KNOW ABOUT ENTRANCE SYSTEMS

GLASS

Achieve the look that's right for you, from basic to lavish, by selecting from our large variety of glass designs.

SHAPES

Give a more dramatic look to your entrance by adding shapes like half-round, ellipse, ellipse top, true ellipse or transom windows and sidelites.

EXTERIOR TRIMS

Find the perfect look to complement your house with brickmold options like natural wood, vinyl clad or a full range of solid vinyl brickmolds to match your windows. Available in solid white, solid sandalwood or any one of our exterior colours.

FRAME

Frame your creation with jambs constructed from strong and durable finger jointed pine. Available in 4 5/8" or 6 5/8" and 7 5/8" depth, natural or vinyl clad, in white, sandalwood or any of our exterior colours.

SLAB STYLES

The type and style of the slab chosen, will greatly alter the look of your door. Slabs are available in maintenance free pre-finished white steel; smooth white fiberglass or textured fiberglass in a variety of wood-grain textures.

SILLS

Your inswing or outswing entrance system is finished with a thermally broken sill with water deflectors.

FIBERGLASS

Smooth Fiberglass

Textured Fiberglass



Fiberglass smooth is a primed finish and only compression weatherstrip with fiberglass



TEXTURED FIBERGLASS DOOR STAIN COLOURS



- 4 5/8" Finger Jointed Pine Jamb
- Fiberglass Textured Slab
- Thermally Broken Aluminum Sill
- Compression Weatherstrip



- Decorative glass not only adds style, but also enhances the appearance of your home and helps create a distinctive and outstanding first impression.



PATIO DOOR COLLECTION



PATIO DOOR COLLECTION

SLIDING PATIO



- All PVC Welded 4 5/8" Multi-Cavity Frame
- Extruded Aluminum Screen
- Multi-point Locking System
- Double Tandem Adjustable Nylon Rollers

GARDEN/TERRACE



- Prefinish White Door Slabs
- Fixed Structural Center Post
- Removable Sliding Screen
- Magnetic & Compression Weatherstrip

ALL PVC SWING



UNPARALLELED WARRANTY

- LIFETIME ON PVC
- LIFETIME ON HARDWARE
- LIFETIME ON GLASS
- ONE YEAR ON LABOUR

See dealer for full warranty details

- All PVC Multi Chambered Frame
- 4 5/8" Frame Depths
- Multi-point Locking System
- Tempered Glass

ALL PVC FOLDING



ALL PVC FOLDING WARRANTY

- TWENTY YEARS ON PVC COMPONENTS
- TEN YEARS ON HINGE HARDWARE COMPONENTS
- FIVE YEARS ON THE LOCKING HARDWARE COMPONENTS
- TWENTY YEARS ON GLASS
- ONE YEAR ON LABOUR

See dealer for full warranty details

- All PVC Multi Chambered
- Folding Door System
- Solution for Residential or Commercial
- 6 5/8" Frame Depth

SLIDING PATIO



GARDEN / TERRACE



ALL PVC SWING



ALL PVC FOLDING



STANDARD FEATURES

Energy Star Approved • CSA Approved • Industry Leading Warranty



MULTI-POINT LOCKING HARDWARE



HINGES

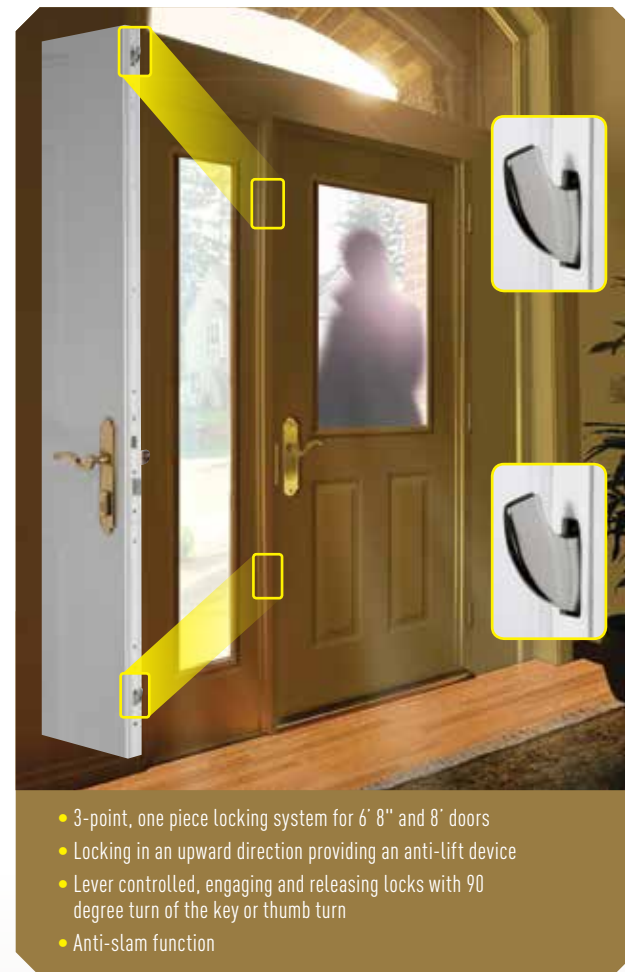
- Zinc
- Brass
- Black
- Stainless Steel



*Not all colors are available with these types.

WEATHERSTRIP

- White
 - Beige
 - Black
- Compression available in all three, Magnetic only white.



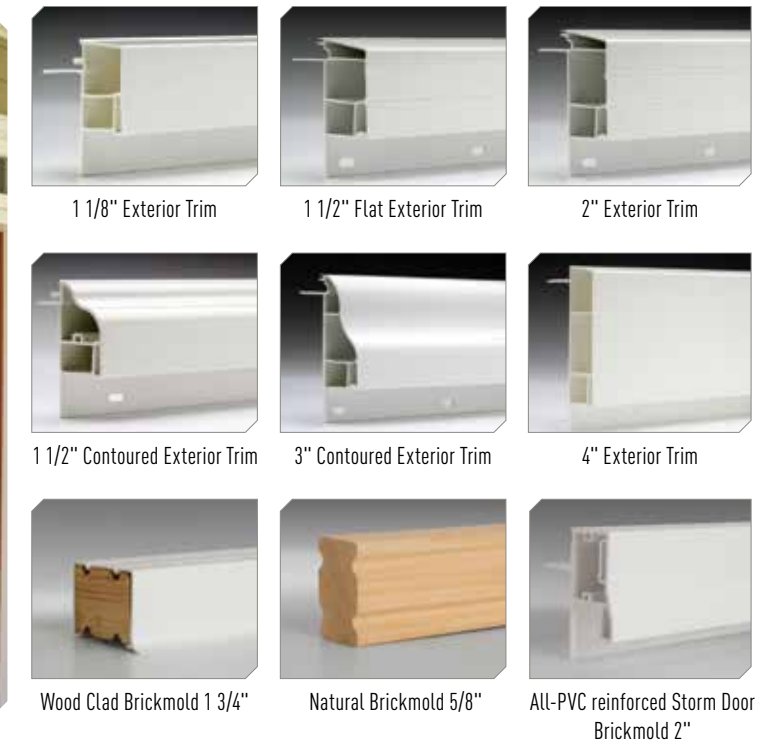
- 3-point, one piece locking system for 6' 8" and 8" doors
- Locking in an upward direction providing an anti-lift device
- Lever controlled, engaging and releasing locks with 90 degree turn of the key or thumb turn
- Anti-slam function

GRILLS

You can add a personal touch with decorative grills, brickmolds and a splash of colour.



BRICKMOLDS



INTERIOR TRIM

Procanna Windows offers various MDF Casing styles to trim the interior of your windows and entrance systems with a shaped transom. When ordering a shaped transom, please specify the casing style that best complements your home's interior trim from the options shown.

PAINT COLOURS

Blending exterior window colours with your siding, or creating a bold statement with your entry system can make an enormous to coordinating the exterior of your home and creating an architecturally designed and professionally finished look.

SILLS

STANDARD SILL



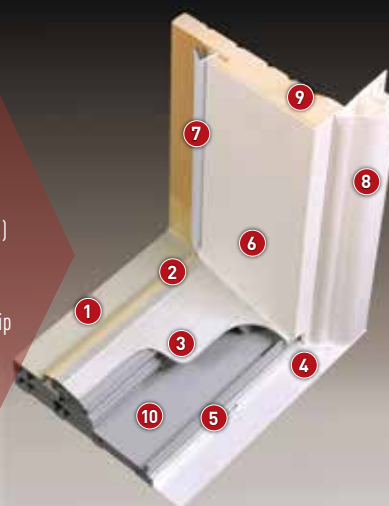
- INSWING**
• 4 5/8" or 6 5/8"
■ Black Anodized
■ Mill Finished
• Also available in 7 5/8"
- OUTSWING**
• 4 5/8" or 6 5/8"
■ Black Anodized
■ Mill Finished
- SERVICE SILL / ASSISTED LIVING**
INSWING • 4 5/8" OR 6 5/8"
OUTSWING • 4 5/8" OR 6 5/8"
■ Mill Finished

• We now offer PVC smooth and textured jambs for those wanting rot free jambs and stainable like the fiberglass doors.



HIGH PERFORMANCE SILL

1. PVC Sill
2. Sill Compression Weatherstrip
3. Aluminum Sill Plate
4. Aluminum Sill Extender
5. Drain Hole (with foam bug plug)
6. Vinyl Jamb Cladding (option)
7. Jamb Compression Weatherstrip
8. Exterior Trim (option)
9. Wood Jamb
10. PVC Sill (internal view)



Procanna Windows offers a few sill types to complement the need of your entrance system. Our standard mill finish sill is the most popular on steel and fiberglass smooth entrance systems. The high performance sill is our all PVC - No rot sill, no sweep required alternative, also rated with a B2.



PRODUCT PERFORMANCE RATINGS

PREMIUM COLLECTION

SINGLE HUNG		PERFORMANCE RATINGS				
Type	Energy Star® Zones	Energy Rating	Air	Water	Wind	
Standard	1/2/3	34	A3/F	B7	C3	
High Performance	1/2/3	34	A3/F	B7	C5	

Min A1 B1 C1 / Max A3 B7 C5

SINGLE SLIDER		PERFORMANCE RATINGS				
Type	Energy Star® Zones	Energy Rating	Air	Water	Wind	
Standard	1/2/3	34	A3/F	B3	C3	

Min A1 B1 C1 / Max A3 B7 C5

DOUBLE HUNG		PERFORMANCE RATINGS				
Type	Energy Star® Zones	Energy Rating	Air	Water	Wind	
Standard	1/2	32	A3	B7	C2	
High Performance	1/2	31	A3	B7	C5	

Min A1 B1 C1 / Max A3 B7 C5

DOUBLE SLIDER		PERFORMANCE RATINGS				
Type	Energy Star® Zones	Energy Rating	Air	Water	Wind	
Standard	1/2	32	A3/F	B4	C3	

Min A1 B1 C1 / Max A3 B7 C5

AWNING		PERFORMANCE RATINGS				
Type	Energy Star® Zones	Energy Rating	Air	Water	Wind	
Standard	1/2	31	A3/F	B7	C5	

Min A1 B1 C1 / Max A3 B7 C5

CASEMENT		PERFORMANCE RATINGS				
Type	Energy Star® Zones	Energy Rating	Air	Water	Wind	
Standard	1/2	31	A3	B7	C5	
Triple Pane	1/2/3	36	A3	B7	C4	

Min A1 B1 C1 / Max A3 B7 C5

SHAPE		PERFORMANCE RATINGS				
Type	Energy Star® Zones	Energy Rating	Air	Water	Wind	
Standard	1/2/3	40	Fixed	B7	C5	
Triple Pane	1/2/3	40	Fixed	B7	C4	

Min A1 B1 C1 / Max A3 B7 C5

PICTURE		PERFORMANCE RATINGS				
Type	Energy Star® Zones	Energy Rating	Air	Water	Wind	
Standard	1/2/3	39	Fixed	B7	C5	
Triple Pane	1/2/3	40	Fixed	B7	C4	

Min A1 B1 C1 / Max A3 B7 C5

PRO COLLECTION

SINGLE HUNG		PERFORMANCE RATINGS				
Type	Energy Star® Zones	Energy Rating	Air	Water	Wind	
Standard	1/2	32	A3/F	B6	C3	
High Performance	1/2	32	A3/F	B6	C4	

Min A1 B1 C1 / Max A3 B7 C5

SINGLE SLIDER		PERFORMANCE RATINGS				
Type	Energy Star® Zones	Energy Rating	Air	Water	Wind	
Standard	1/2	32	A3/F	B4	C3	

Min A1 B1 C1 / Max A3 B7 C5

AWNING		PERFORMANCE RATINGS				
Type	Energy Star® Zones	Energy Rating	Air	Water	Wind	
Standard	1/2	31	A3	B7	C4	
High Performance	1/2	31	A3	B7	C5	

Min A1 B1 C1 / Max A3 B7 C5

CASEMENT		PERFORMANCE RATINGS				
Type	Energy Star® Zones	Energy Rating	Air	Water	Wind	
Standard	1/2	31	A3	B7	C4	
High Performance	1/2	31	A3	B7	C5	

Min A1 B1 C1 / Max A3 B7 C5

SHAPE		PERFORMANCE RATINGS				
Type	Energy Star® Zones	Energy Rating	Air	Water	Wind	
Standard	1/2/3	40	A3/FXD	B7	C2	

Min A1 B1 C1 / Max A3 B7 C5

PICTURE		PERFORMANCE RATINGS				
Type	Energy Star® Zones	Energy Rating	Air	Water	Wind	
Standard	1/2/3	40	A3/FXD	B7	C2	

Min A1 B1 C1 / Max A3 B7 C5

ENTRANCE COLLECTION

SLIDING PATIO		PERFORMANCE RATINGS				
Type	Energy Star® Zones	Energy Rating	Air	Water	Wind	
Standard	1/2	31	A3	B3	C3	

Min A1 B1 C1 / Max A3 B7 C5

PROCANNA WARRANTIES

Procanna windows, patio doors and entrance systems are covered by a warranty that is unparalleled in the industry. You can expect the highest quality standards and the beauty you deserve on any window, patio door or entrance system.

PREMIUM COLLECTION

WARRANTY

PARTS & LABOUR INCLUDED

Our Premium Collection windows and sliding patio doors offer a **LIFETIME WARRANTY** that is the finest in its class - **GUARANTEED!**

The Premium window and sliding patio doors are manufactured to the highest quality standards and will withstand the test of the harshest Atlantic climate. Premium Collection windows and sliding patio doors offer a worry-free, hassle-free **LIFETIME VINYL, GLASS, HARDWARE AND LABOUR WARRANTY.**

VINYL

LIFETIME WARRANTY against defects in material resulting in peeling, blistering, flaking, corroding or rotting of the PVC frame or such members for a **LIFETIME**, or as long as you own your windows or sliding patio doors.

INSULATED GLASS

LIFETIME WARRANTY against visual obstruction due to seal failure, which results in moisture between the interior glass surfaces, for a **LIFETIME**, or as long as you own your windows or sliding patio doors.

HARDWARE

LIFETIME WARRANTY which guarantees all hardware shall remain in operational condition for a **LIFETIME**, or as long as you own your windows or sliding patio doors.

For full warranty details please see the dealer nearest you or PROCANNA.com

PRO COLLECTION

WARRANTY

NON PRO-RATED

Our Pro Collection windows and sliding patio doors offer a **WARRANTY** that is the best in its class - **GUARANTEED!**

Manufactured to exacting standards, Pro Collection windows and sliding patio doors will withstand the test of Atlantic Canada's harshest weather.

Pro Windows and sliding patio doors offer a **LIFETIME WARRANTY** on vinyl, and a **THIRTY YEAR WARRANTY** on glass, hardware and labour.

VINYL

LIFETIME WARRANTY against defects in material resulting in peeling, blistering, flaking, corroding or rotting of the PVC frame or such members for a **LIFETIME**, or as long as you own your windows or sliding patio doors *(including labour for thirty years).*

INSULATED GLASS, HARDWARE & LABOUR

THIRTY YEAR WARRANTY against visual obstruction due to seal failure, which results in moisture between the interior glass surfaces, and **THIRTY YEAR WARRANTY** on all hardware components & labour.

For full warranty details please see the dealer nearest you or PROCANNA.com

ENTRANCE COLLECTION

WARRANTY

UNPARALLELED WARRANTY

Procanna Door Collection are warranted against defects for a period of **TEN YEARS.**

COMPONENTS

Procanna Doors have a components warranty against manufacturing defects including hardware, hinges, jambs, sills and slabs against rusting or delaminating for a period of **TEN YEARS.**

DOORLITES

Procanna Doors are warranted for doorlites against defects in workmanship, components and seal failure resulting in a film of moisture between the glass for a period of **TEN YEARS.**

ENHANCEMENTS

Any door combined with our pre-finished slabs comes complete with our standard **TEN YEAR** comprehensive warranty plus a **TWENTY YEAR** warranty on the pre-finished white slab against peeling, blistering, chalking and discolouring. All fiberglass slabs come with a **LIFETIME** warranty against manufacturing defects. *(Fiberglass must be painted or stained within 45 days to maintain this warranty).*

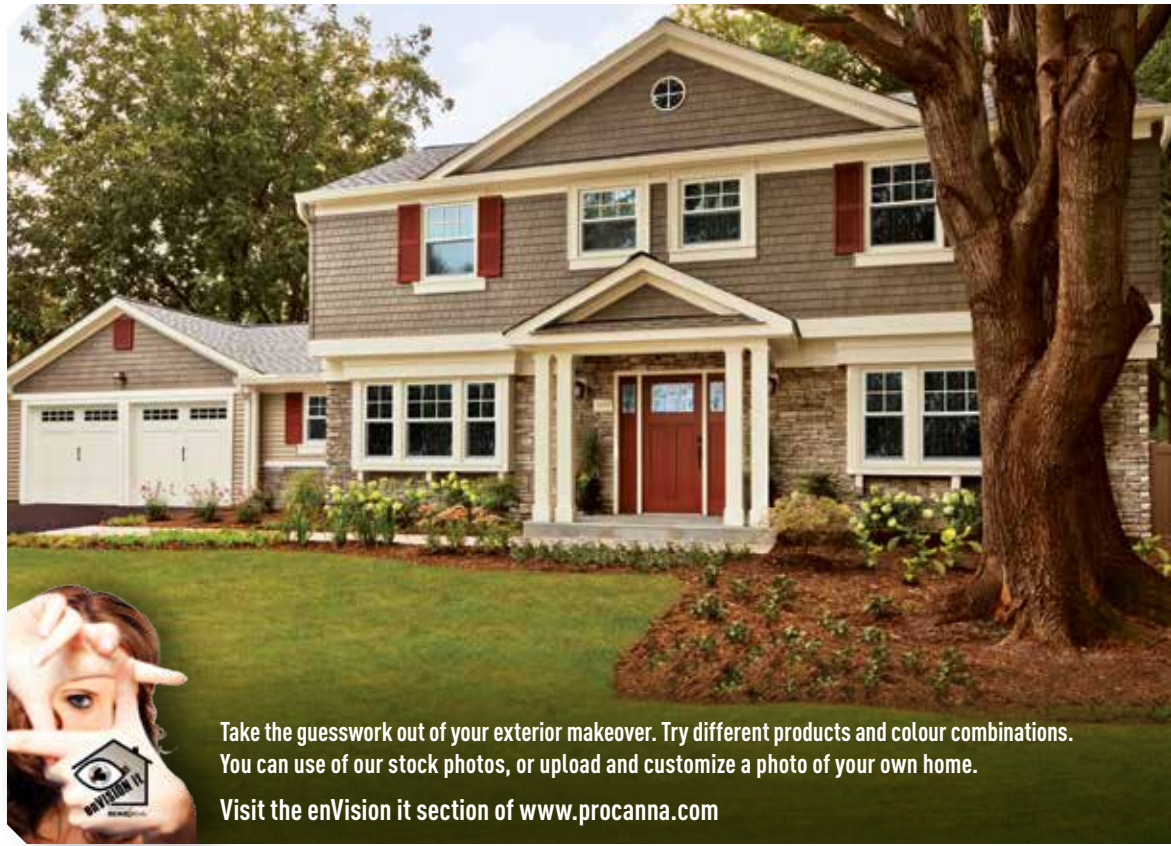
For full warranty details please see the dealer nearest you or PROCANNA.com



Procanna Windows and Doors are distributed exclusively across Canada by



One company. Hundreds of products. **Endless possibilities.**



Take the guesswork out of your exterior makeover. Try different products and colour combinations. You can use our stock photos, or upload and customize a photo of your own home.

Visit the enVision it section of www.procanna.com

Mitten has earned a solid reputation across Canada for its customer driven approach to service and unwavering dedication to Exterior Building Products Distribution.

Window and Door Hotline

Ph: 844.885.4885 • Fax: 866.802.0451

Mitten has 18 branches to serve you from coast to coast with five branches in eastern Canada.

Fredericton: 888.663.4040 • **Moncton:** 800.668.8824 • **Saint John:** 506.634.0034

Dartmouth: 888.565.3363 • **Mount Pearl:** 800.461.4001

Visit us online at: PROCANNA.COM



49-803-110-01